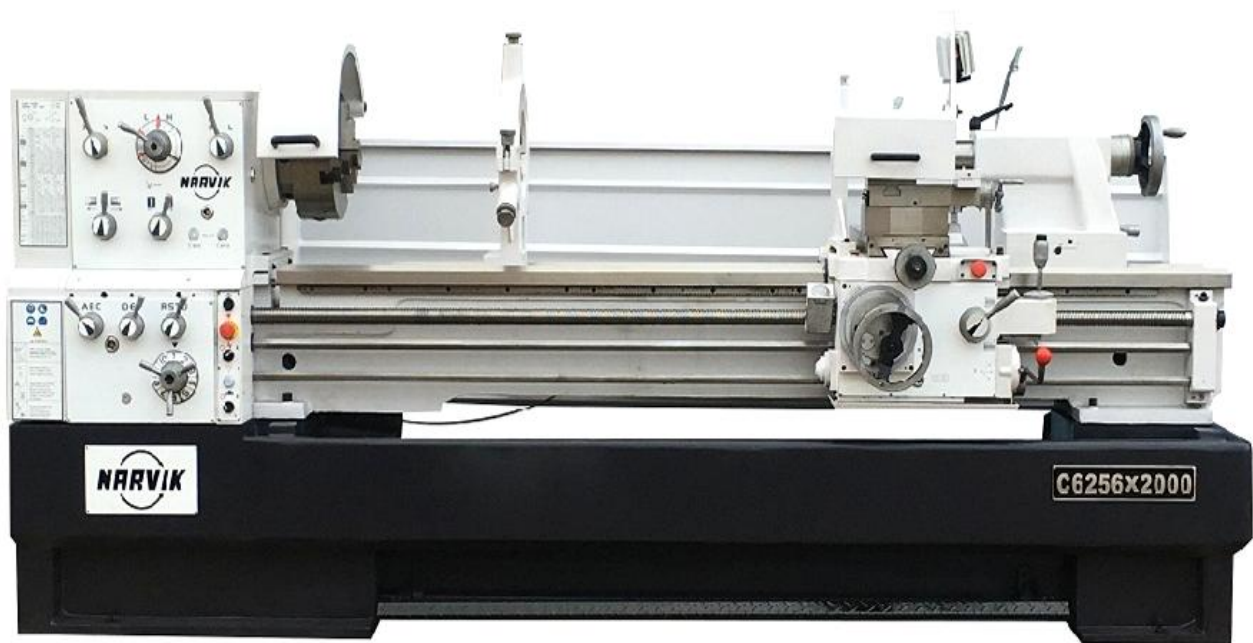


LATHE MACHINE MODEL: C6256 x 2000

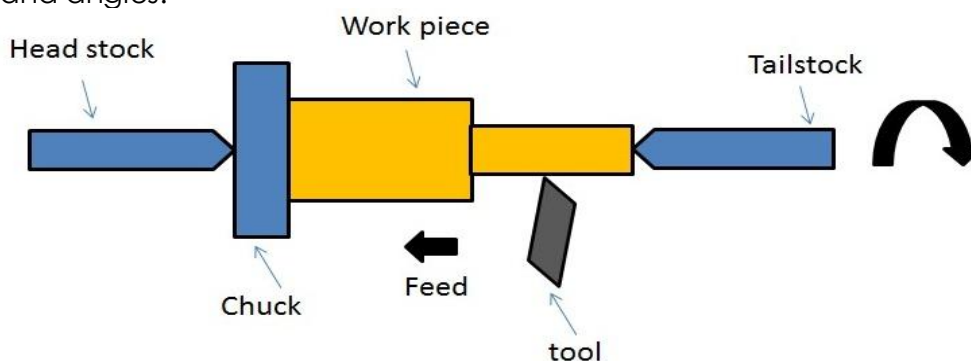


MACHINE DESCRIPTION :

Lathe Machine is a machine tool that is used to remove metals from a workpiece to give a desired shape and size. This Lathe Machines are used in metalworking and parts reclamation. The various other operations that you can perform with the help of Lathe Machine can include sanding, cutting, knurling, drilling, and deformation of tools that are employed in creating objects which have symmetry about the axis of rotation.

WORKING PRINCIPLE :

- Lathe is a machine tool which holds the workpiece between two rigid and strong supports called center or in a chuck or face plate which revolves. The cutting tool is rigidly held and supported in a tool post which is fed against the revolving work. The normal cutting operations are performed with the cutting tool fed either parallel or at right angles to the axis of the work.
- The cutting tool may also be fed at an angle relative to the axis of work for machining tapers and angles.





TECHNICAL PARAMETER :

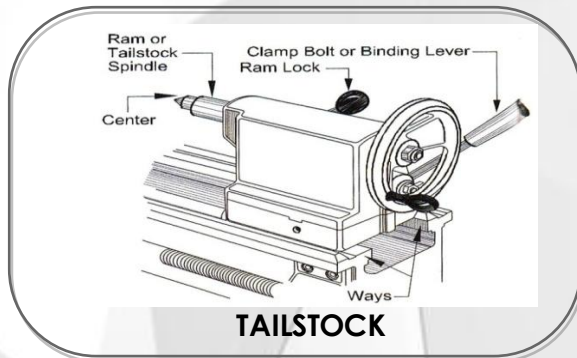
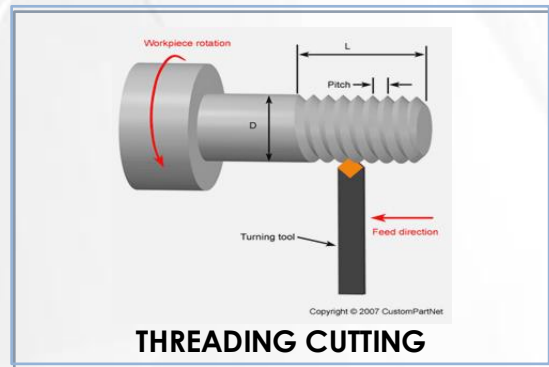
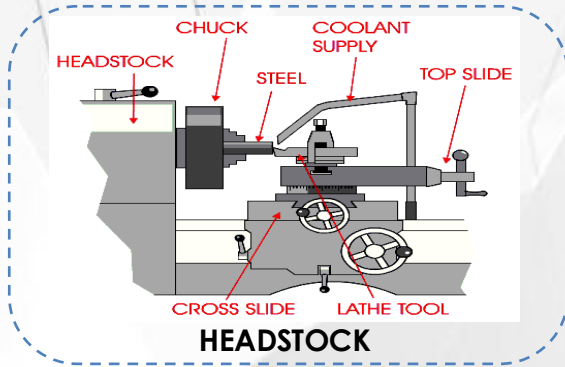
LATHE MACHINE

Model Number	: C6256 x 2000
Brand name	: NARVIK
CAPACITY	
Swing over bed	: \varnothing 560mm
Swing over cross slide	: \varnothing 355mm
Swing in gap diameter x width	: 785mm x 170mm
Height of center	: 280mm
Distance between Centers	: 2000mm
Width of Bed	: 350mm
Cutting tool Max. Section	: 25 x 25mm
Total travel of Cross slide	: 316mm
Total travel of Top slide	: 130mm
HEADSTOCK	
Spindle bore	: \varnothing 80mm
Spindle nose	: D1-8
Spindle morse taper in Nose, in Sleeve	: M.T. No. 7
Spindle speeds number	: 12
Spindle Speeds Range	: 25-1600r.p.m.
THREAD & FEEDS	
Lead screw diameter & thread	: \varnothing 40mm x 4T.P.I or Pitch 6mm
Threads imperial pitches	: 2-112 T.P.I. (60Nos.)
Thread metric pitches	: 0.2-14 (47Nos.)



NAREX INDUSTRIAL MACHINERY L.L.C.

Diametral pitches	: 4-112 D.P (50Nos.)
Module pitches	: 0.1-7M.P (39Nos.)
Longitudinal feeds Imperial	: 0.0022"- 0.0612"/Rev (35Nos.)
Longitudinal feeds Metric	: 0.059-1.646mm/Rev (35nos)
Cross – feeds Imperial	: 0.00048"-0.01354" (35Nos.)
Cross – feeds Metric	: 0.020-0.573mm (35nos.)
TAILSTOCK	
Total travel of tailstock quill	: 180mm
Tailstock quill diameter	: \varnothing 75mm
Taper tailstock quill	: M.T. No. 5
MOTOR	
Spindle drive motor	: 7.5kw (10HP) 3ph
Coolant pump motor	: 0.1kW (1/8 HP)
WEIGHT & MEASURES	
Overall dimension (L x W x H)	: 3340 x 1150 x 1460 mm
Packing dimensions (L x W x H)	: 3400 x 1150 x 1740 mm
Net weight	: 2720Kg
Gross weight	: 3110Kg
Brand New	: China



VARIOUS OPERATIONS :

