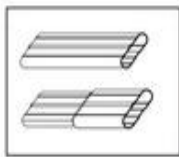
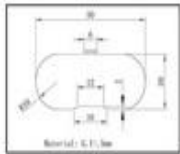
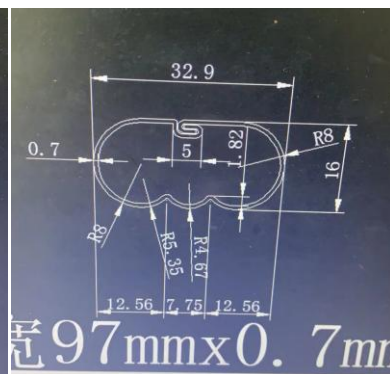
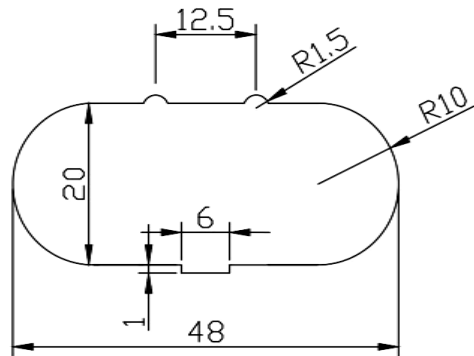
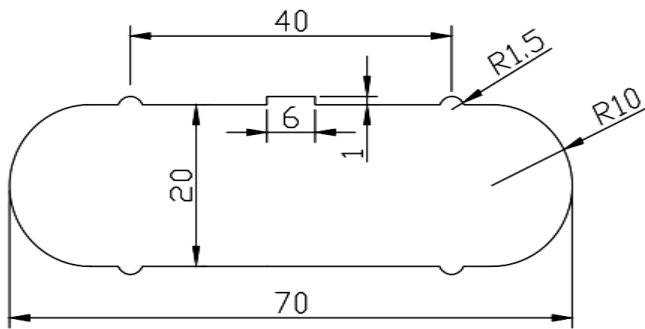


## OVAL ROLL FORMING MACHINE

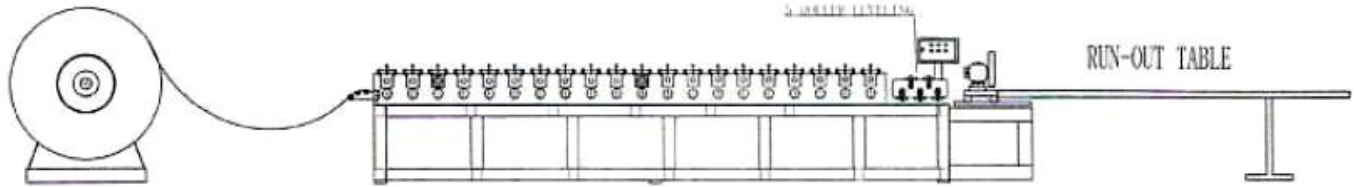


### PROFILE DRAWING :





## MACHINE PROCESS :



**Decoiler → Feeding → Leveling → Roll Forming → Cutting → Product Table**

## ELEMENTS :

**Manual Decoiler, Leveling Beach, main roll forming machine, shearing system, hydraulic station, PLC control station and run out table.**

## TECHNICAL PARAMETER:

### DECOILER

Expanding Method : Manual Expanded Version

ID : 450-500 mm

OD : 12000 mm

Max Loading : 3Ton

Width : 300 mm

### LEVELING BEACH

Four rollers leveling beach to make sure material neat, clear and straight.

If you need, we can add the oiling system at the leveling part for protecting the coil and the rollers.

### ROLLING MACHINE

Roller station : 20stations

Shaft material : 45# steel

Outer diameter : 50mm

Roller material : GCr15 quenching at 58 to 60 degree

Transport : Chain

Forming Speed : 0-8m/min

Motor : 5.5kw

Machine : 8500 x 800 x1450 mm

Machine frame : 280 H beam

Frame thickness : 20mm, middle plate frame

Voltage :380v,50Hz,3 phase



## FLYING CUTTING SAW

Flying and tracking cutting saw, the cutting saw will adjust the cutting speed and location according to the main machine speed. By this method, the machine working speed will be same as the main machine accordingly. The cutting plate we take the best material for cutting it in high speed and beautiful cutting scare.

The material of blade: Cr12Mov , Hardening HRC 58-62°C

Length Tolerance:  $3m \pm 1.5mm$

Flying cutting saw, can make sure the perfect shape after shearing.

## PLC CONTROL

Screen: touch screen

PLC: Delta

Automatic-length measurement

Automatic-quantity measurement

Computer is used to control length and quantity. Machine will automatically cut to length and stop when required quantity is achieved Length inaccuracy can be amended easily

## TABLE

Output frame each one for 3 meters

Could be welded locally according to customer needs.

## SPARE PARTS

Easy damaged parts: conk 2 pcs, fuse-link 4 pcs

Rubber mat 1 pcs; Bolt spanner 1 pcs.

## SAMPLE PIECE:

